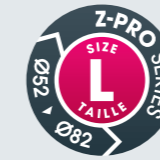


### ADAPTOR RINGS

Adaptor rings are the link between the lens and the filter-holder. They are attached on the lens by screwing them on the front thread.



Ø49 (P449)	Ø52 (P452)	Ø55 (P455)	Ø58 (P458)	Ø62 (P462)
---------------	---------------	---------------	---------------	---------------



Ø52 (Z452)	Ø55 (Z455)	Ø58 (Z458)	Ø62 (Z462)	Ø67 (Z467)	Ø72 (Z472)	Ø77 (Z477)	Ø82 (Z482)
---------------	---------------	---------------	---------------	---------------	---------------	---------------	---------------

### FILTERS

EVO filter-holder is compatible with **NUANCES** ND & GND filters made of highly resistant tempered glass or **CREATIVE** filters made of colored resin for unlimited creativity.

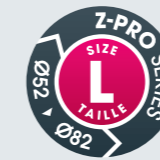
### EVO FILTER-HOLDER WITH FRONT PLATE FOR SCREW-IN FILTERS

EVO filter-holder main plate is made of aluminum, making it both sturdy and light. Modular, it can hold up to 3 filters in highly resistant polyamid slots. A custom designed mask prevents light leaks when using filters dedicated to long exposure photography. The front plate accepts an EVO circular polarizing filter.

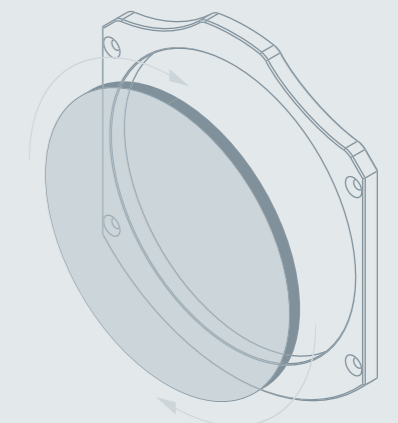
### EVO CIRCULAR POLARIZING FILTER



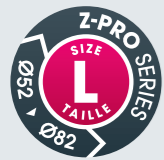
Ø95  
(CV164B-95A)



Ø105  
(CV164B-105A)



M Size filter-system is recommended for mirrorless or micro four-third cameras



L Size filter-system is recommended for DSLR (APS-C or Full Frame) with a focal length above 18mm (24x35 eq.).